



ACM-7411

Megapixel IP Rugged Dome Camera

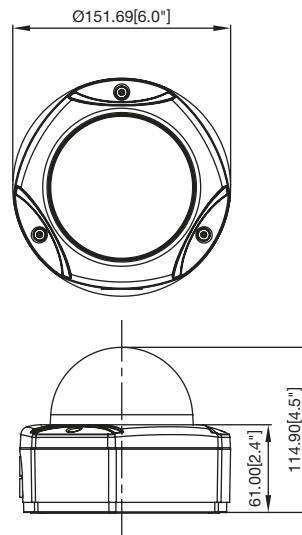


- 1/3" Micron Progressive Scan CMOS
- Day and night function with Mechanical IR Cut Filter
- Integrated f3.3~12 mm / F1.4 Megapixel lens
- 0.05 Lux at F1.4 (30 IRE, MAX AGC)
- Selectable MPEG-4 / MJPEG compression
- Up to SXGA resolution at 8 FPS
- Multi-stream with variable frame rate in the same compression
- Two-way audio supported
- Hardware motion detection, Digital Input/Output
- DC 12 V or Power over Ethernet (IEEE 802.3af) supported
- IP66 weatherproof supported
- Surface, flush and wall mount supported



- ① Ethernet Port
- ② DC 12 V Power Input
- ③ Reset Button
- ④ Audio & DIO Input / Output

DIMENSION DIAGRAM



Unit: mm [inch]



PRODUCT SPECIFICATION

		ACM-7411
Image	Device	Micron Progressive Scan CMOS
	Size	1/3 inch
	Effective Pixels	1280 x 1024
Min. Scene Illumination	Color	Color mode automatically switched to B/W mode under 7 Lux
	B/W	0.05 Lux at F1.4 (30 IRE,MAX AGC)
	CDS Sensor	Yes
	IR Sensitivity	from 700nm to 1100 nm
Lens	Lens	f3.3 ~ 12 mm / F1.4
	Viewing Angle	89.8° ~ 23.9° (Horizontal)
Camera Angel Adjustment	X (Panning)	0° ~360°
	Y (Tilting)	0° ~180°
	Z (Rotating)	0° ~360°
Synchronization	Sync. System	Internal
Day/Night Functions	Mechanical IR Cut Filter	Yes
Functions	Motion Detection	Yes (3 Windows)
	Electronic Shutter	1/10 ~ 1/2,000 sec. (60Hz); 1/10 ~ 1/2,000 sec. (50Hz)
	Flickerless	1/120 sec. (60Hz); 1/100 sec. (50Hz)
	BLC	Yes
	AGC	Automatic (User definition)
	White Balance	6 Modes (AUTO,INDOOR1,INDOOR2,OUTDOOR1,OUTDOOR2, HOLD CURRENT,MANUAL) Configurable
S/N Ratio	S/N Ratio	Better than 44 dB
Video Compression	Compression	MPEG-4 SP, MJPEG selectable
	Picture Resolution	SXGA (1280x1024) HD 720 (1280x720) VGA (640x480)
	Image Frame Rate	SXGA at 8 fps HD720 at 10 fps VGA at 30 fps
Audio Input	Compression	8kHz, Mono, PCM
	Audio Line Input	Unbalanced, 1.4Vp-p, 1Vrms, terminal block
Audio Output	Compression	8kHz, Mono, PCM
	Audio Line Output	Unbalanced, 1.4Vp-p, 1Vrms, terminal block
Alarm	Digital Input	1, terminal block
	Transistor Output	1, terminal block
External I/O	Reset Button	Factory default
Casing	IP66 Rated	Weatherproof casing with IP66 standard
	Vandal Proof	Vandal proof supports, durability up to 702 KgF
	Mount Types	Surface / Flush / Wall
Network	Ethernet	Ethernet (10/100 Base-T), RJ45 Connector
	Protocol	TCP, UDP, IP, HTTP, DHCP, PPPoE, RTP, RTSP,FTP,SMTP,DNS,DDNS,NTP,ICMP,IGMP,ARP,3GPP
Software	Web Browser	Microsoft Internet Explorer 6.0 or above
	SDK	ACTi SDK-10000
Operating	Security	Password protection: configured by the administrator
	Heater / Fan	Yes (built-in)
	Temperature	-30 °C ~ 50 °C (-22 °F ~ 122 °F) for DC 12 V; -5 °C ~ 50 °C (7 °F ~ 122 °F) for PoE
Power	Power Requirement	PoE (IEEE802.3af) with Class 3
	Power Consumption	3.4 W (DC 12 V) w/o Heater & Fan 13.2 W (DC 12 V) w/ Heater ON & Fan ON 4.4 W (PoE) w/o Heater & Fan
Physical	Dimensions (WxHxD)	151.69 mm x 114.9 mm (6.0" x 4.5")
	Weight	1040 g

ORDERING INFORMATION

Model Name	Description
ACM-7411	Megapixel IP Rugged Dome

ACCESSORY OPTIONS

- Wall mount kit R695-00019-001
- Flush mount kit R695-00020-000



R695-00019-001



R695-00020-000

* All specifications are subject to change without notice.
* All brand names and registered trademarks are the property of their respective owners.