



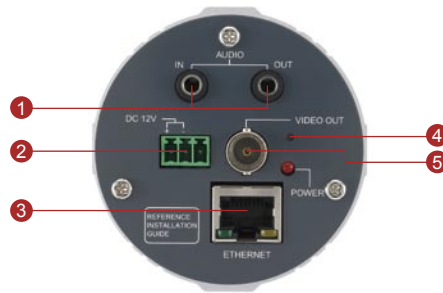
ACM-1311

Indoor IP IR Bullet Camera



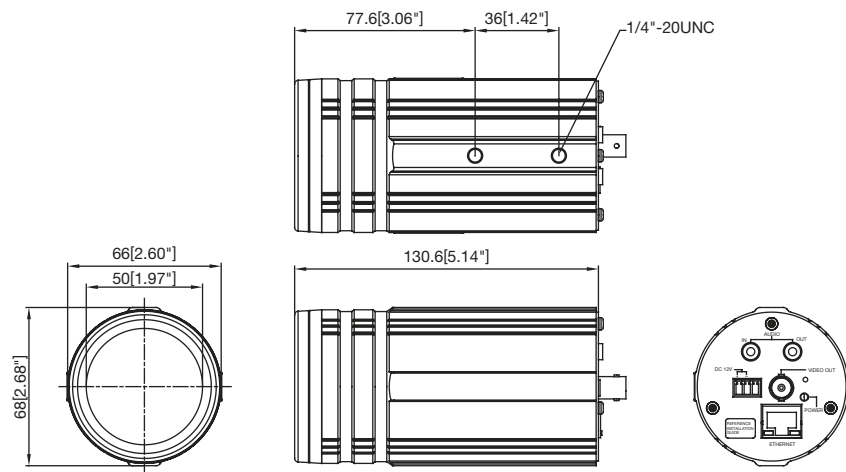
* The bracket is not included.

- 1/3" Sony SuperHAD CCD
- 0 Lux at F2.0(IR LED ON)
- Backlight Compensation, Auto White Balance Supported
- Selectable MPEG-4 / MJPEG compression
- CIF up to Full D1 resolution at 30/25 FPS
- Multi-stream with variable frame rate in the same compression
- Two-way audio supported
- Hardware motion detection
- Hybrid analog and ethernet video output with 420 TV lines
- DC 12 V or Power Over Ethernet (IEEE 802.3af) supported



- | | |
|------------------------|--------------------------|
| ① Audio Input / Output | ④ Reset Button |
| ② DC 12 V Power Input | ⑤ Composite Video Output |
| ③ Ethernet Port | |

DIMENSION DIAGRAM



Unit: mm [inch]



PRODUCT SPECIFICATION

		ACM-1311
Image	Device	SONY SuperHAD CCD
	Size	1/3 inch
	Effective Pixels	537 x 505 (NTSC); 537 x 597 (PAL)
	Horizontal Resolution	420 TVL
Min. Scene Illumination	Color	0 Lux at F2.0 (w/IR) IR LED ON at 4 Lux / Controlled by a CDS sensor
	IR Sensitivity	from 700 nm to 1100 nm
	IR LED	IR LED x24 (850 nm)
	CDS Sensor	Yes
Lens	IR Working Distance	10 ~ 15 M (30 IRE)
	Focal Length	f 4.3 mm / F 2.0
Synchronization	Viewing Angle	63° (Horizontal)
	Sync. System	Internal
Day/Night Functions	Mechanical IR Cut Filter	N/A
	Motion Detection	Yes (3 windows)
Functions	Electronic Shutter	1/60 ~ 1/100,000 sec. (NTSC) 1/50 ~ 1/100,000 sec. (PAL)
	BLC	Automatic
	AGC	Automatic
	White Balance	AWB
S/N Ratio	S/N Ratio	Better than 48 dB
	Compression	MPEG-4 SP, MJPEG Selectable
Video Compression	Picture Resolution	Full D1 (720x480 in NTSC, 720x576 in PAL) VGA (640x480 in NTSC, 640x480 in PAL) CIF (352x240 in NTSC, 352x288 in PAL) QCIF (176x120 in NTSC, 176x144 in PAL)
	Bit Rate	28 K ~ 3 M bps
	Image Frame Rate	30 fps at full D1 resolution (NTSC) 25 fps at full D1 resolution (PAL)
Video Output	Composite Output	CVBS, 1.0Vp-p with 75 Ω loading, BNC connector
Audio Input	Compression	8kHz, Mono, PCM
	Audio Line Input	Unbalanced, 1.4Vp-p, 1Vrms, 3.5 mm Phone Jack
Audio Output	Compression	8kHz, Mono, PCM
	Audio Line Output	Unbalanced, 1.4Vp-p, 1Vrms, 3.5 mm Phone Jack
External I/O	Reset Button	Factory default
	LED	System status
Network	Ethernet	Ethernet (10/100 Base-T), RJ-45 connector
	Protocol	TCP, UDP, IP, HTTP, DHCP, PPPoE, RTP, RTSP, FTP, SMTP, DNS, DDNS, NTP, ICMP, IGMP, ARP, 3GPP
Software	Web Browser	Microsoft Internet Explorer 6.0 or above
	SDK	ACTi SDK-10000
Operating	Security	Password Protection: configured by the administrator
	Temperature	0 °C ~ 40 °C (32 °F ~ 104 °F)
Power	Power Requirement	PoE (IEEE802.3af) with Class 3 (ACM-1311)
	Power Consumption	6.2 W (DC 12 V) w/ IR ON 7.4 W (PoE) w/ IR ON
Physical	Dimensions (øxH)	66 mm x 130.6 mm (2.6" x 5.14")
	Weight	460 g (1.01 lb)

ORDERING INFORMATION

Model Name	NTSC	PAL	DC 12 V / PoE
ACM-1311N	V		V
ACM-1311P		V	V

ACCESSORY OPTIONS

- Camera bracket 69-GL220E-R0



69-GL220E-R0

* All specifications are subject to change without notice.
* All brand names and registered trademarks are the property of their respective owners.